

- G** A marine grade digital keypad with simple and reliable stainless steel mechanism from inside the gate.
- G** Auto-latching – close the gate and the latch catches onto the strike plate. To open the gate - from outside enter the code and turn the handle, from inside simply twist the latch.
- G** No power needed – High quality digital keypad ensure long lasting durability.
- G** Internal mechanism is easily reversible for left and right hand gates.



PRODUCT DETAILS

Product code: Description:

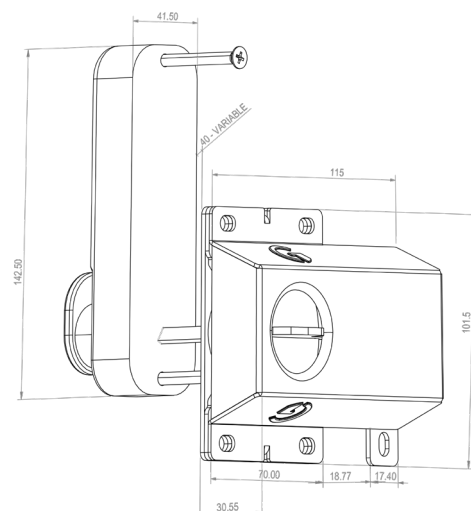
SLDS Superlatch Digital with shroud

Strike plate included.
No power needed.



INSTALLATION

1. Drill 2 x 5mm diameter holes at 130mm centres in a vertical line 50mm from the edge of the gate.
2. Drill a 3rd hole 12mm diameter, 18mm up from the bottom hole.
3. Fix the outside keypad using 2 x M5 countersunk screws.
4. Insert the rectangular spindle through the gate and fully into the keypad. Cut the spindle so it projects 13mm from the inside face of the gate.
5. Locate the Superlatch backing plate, latch plate and shroud over the spindle and fix with 4 screws.
6. Fix the keep plate to the gate post so it engages with the latch.
7. **MAINTENANCE** Lubricate with light oil periodically.



VISIT GATEMASTERLOCKS.COM FOR MORE INFORMATION

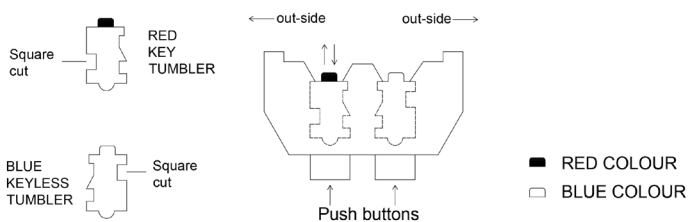


LOCK CODE:

C _____

TO CHANGE THE CODE

1. Check the original code is working on the keypad.
2. Turn the keypad over and remove the 4 screws.
3. Lift off the covering panel carefully as there are 10 springs attached to this panel. Note that the red tumblers relate to the code shown above. Also note that the C tumbler is uncoloured and should not be removed.
4. To change the code hold the keypad with the code buttons down and depress & hold the C button (if this is not done you may damage some of the internal components). Reposition the tumblers to the new code (red tumblers are coded and blue tumblers are uncoded). Ensure that the square cut-out on each tumbler is facing the outside of the lock body, also ensure that the coloured mark is facing upwards. If any one tumbler is upside down or the wrong way round the lock will not work and if forced will break the internal components. The code must always start with a 'C'.



5. Replace the covering panel and tighten the 2 screws
6. The code is now changed, check to see that it is working correctly and make a note of the code for future reference.

MAINTENANCE

6 monthly:

1. Remove keypad from the gate.
2. Spray the inside of the lock thoroughly with WD40 or equivalent, through the tumbler holes at the back of the lock.
3. Spray all the fixing accessories and the latch with WD40 or equivalent.
4. Push each of the buttons and rotate the knob several times to make sure the lock is working smoothly.

